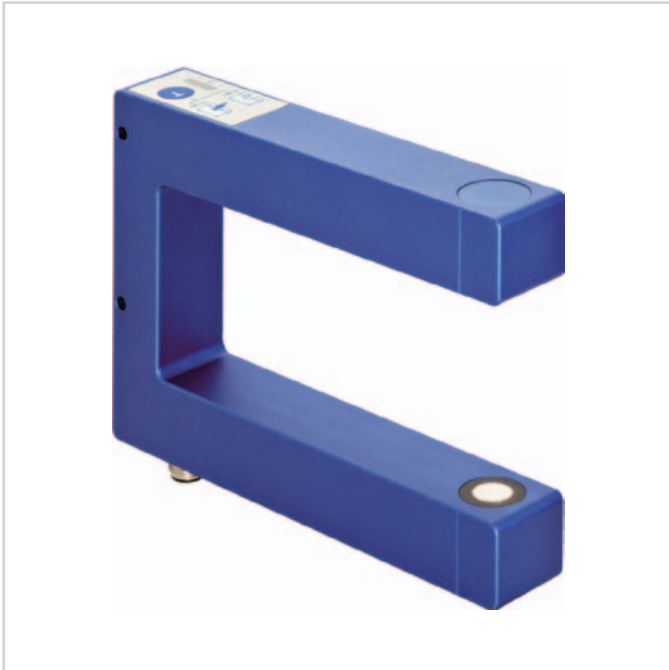
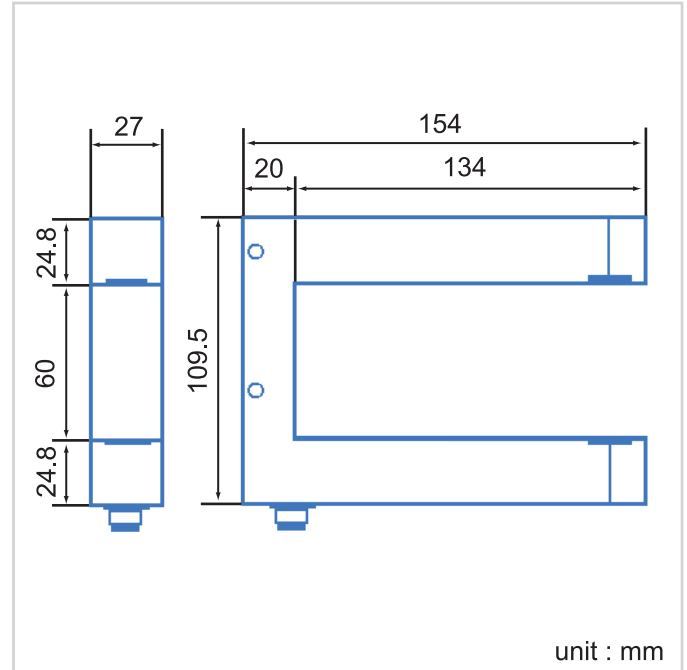


Ultrasonic Sensor DU-2



Dimensions



TOUGU DENKI Ultrasonic Sensor is a fork sensor for edge position control of sound-impermeable materials, such as clear film, opaque film, paper, foil, metal, light-sensitive materials and others.

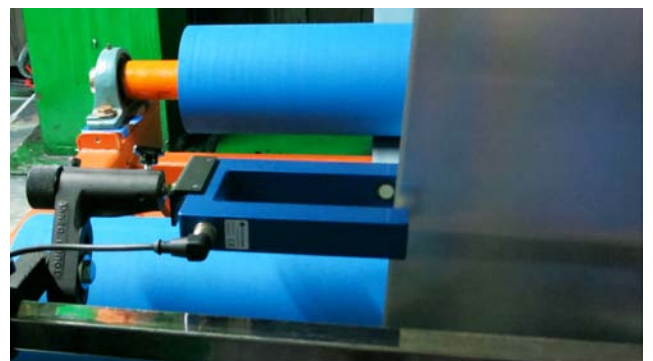
With a fork height of only 60 mm and a depth of 134 mm, it has a very compact design. Its high accuracy of 0.1 mm permit a wide variety of applications.

Technical Data

Model	DU-2
Detect Type	Ultrasonic
Resolution	0.025 mm
Accuracy	0.1 mm
Frequency	200kHz
Housing Material	Aluminium
Fork Height	60 mm
Fork Depth	134 mm
Weight	275g
Dimensions (WxDxH)	27 x 154 x 120 mm
Temperature	5~50°C
Protection Class	IP 65



Ultrasonic Sensor DU-2 is used on clear film



Ultrasonic Sensor DU-2 is used on aluminum coil